

# Pro Series Diaphragm Pumps

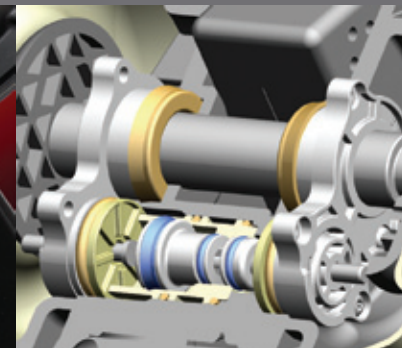
With a product and design legacy that goes back almost as far as the diaphragm pump itself, ARO diaphragm pumps have the proven proprietary designs and performance features that fluid handling professionals demand. And what is the diaphragm pump that is at the front of this famous offering? ARO Pro Series. ARO Pro Series are the pumps that deliver trouble-free, stall-free and ice-free fluid handling. Featuring a broad selection of wetted and body materials; including stainless steel and cast iron 2" and 3" ported models, ARO Pro Series pumps have the internal and external features that continue to drive a reputation that is both legendary and unrivaled. Do you want optimum fluid handling productivity with minimal maintenance? Go Pro...ARO Pro Series Diaphragm Pumps.

## Pro Body Construction



- Wide selection of body materials, including stainless steel and cast iron.
- Thick walled castings for increased durability.
- Bolted construction for leak-tight integrity and environmental safety.

## Pro Air Motor Technology



- A positive O-ring seals air flow and prevents costly air blow-by.
- 1/2" and 3/8" ported models feature a simul-shift valve design that provides both stall-free operation as well as faster trip-over with less pulsation.

## Pro Performance Cost Savings



- Increased productivity, delivers up to 237 GPM (897 LPM).
- Wide selection of model configurations to perfectly match your production delivery requirements.
- Ultra-efficient air motor design utilizes less compressed air - thereby reducing operation costs.

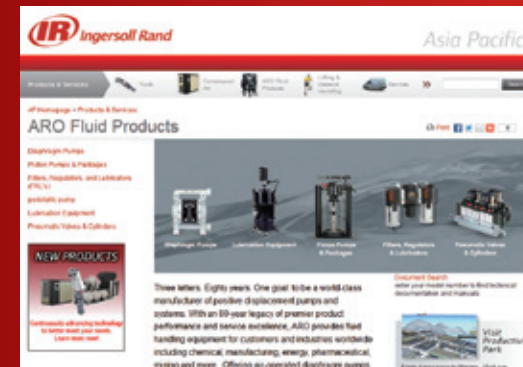
For more information: • See your local distributor  
• Visit [www.ingersollrandproducts.com](http://www.ingersollrandproducts.com)

## Progress in Motion



For more than 80 years, we've helped drive innovation with revolutionary technology — creating new standards for how the world gets work done. We've done it by producing best-in-class Ingersoll Rand / ARO pumps and dispensing technologies, and by knowing our customers' industries and the demands placed on productivity and quality.

## Get Connected!



- ✓ **Easy Access to Operator's Manuals and Product Data**  
Users can now search with complete or partial model numbers, gaining access to documents in multiple languages
- ✓ **Pump Selection Software**  
Allows you to identify the best pump for your application  
**PUMPSELECTOR**
- ✓ **Competitive Model Crossover**  
Visitors can easily and quickly crossover competitive units to ARO models  
**QuickCross**
- ✓ **Productivity Park**  
An interactive 3D tour of markets and industries where Ingersoll Rand Fluid Technologies' products are utilized



Ingersoll Rand (NYSE:IR) advances the quality of life by creating comfortable, sustainable and efficient environments. Our people and our family of brands — including Club Car®, Ingersoll Rand®, Thermo King® and Trane® — work together to enhance the quality and comfort of air in homes and buildings; transport and protect food and perishables; and increase industrial productivity and efficiency. We are a \$12 billion global business committed to a world of sustainable progress and enduring results.



[www.ingersollrandproducts.com](http://www.ingersollrandproducts.com)



Distributed by:

# ARO

## Pro Series Diaphragm Pumps

1/4" - 3" Ports, Metallic and Non-metallic Construction



# Pro Series Diaphragm Pumps

## Plant Maintenance

Plant Maintenance applications aren't pretty, but Pro Series pumps are tough enough for even the most demanding jobs.

- Stall-free air motor for on-demand operation
- Performs well in high back-pressure applications
- Non-bonded backer diaphragm enhances performance and service life of primary PTFE diaphragm



## Original Equipment

Pro Series can adapt to the varied requirements of Original Equipment Manufacturers.

- Materials of construction include aluminum, polypropylene, stainless steel, cast iron and PVDF
- Multiple diaphragm options let you maximize fluid compatibility
- Pro Series is energy efficient, resulting in more gpm for less cfm
- Comprehensive selection of OEM-ideal compact diaphragm pumps



## Primary and Secondary Production

Pro Series pumps cut their teeth in numerous Primary and Secondary production applications, with advantages that have made them a stalwart throughout industry.

- Air motor features a positive O-ring seal, eliminating expensive blow-by of compressed air
- Unbalanced air valve for reliable stall-free operation
- Bolted construction replaces band clamps that fatigue and then leak



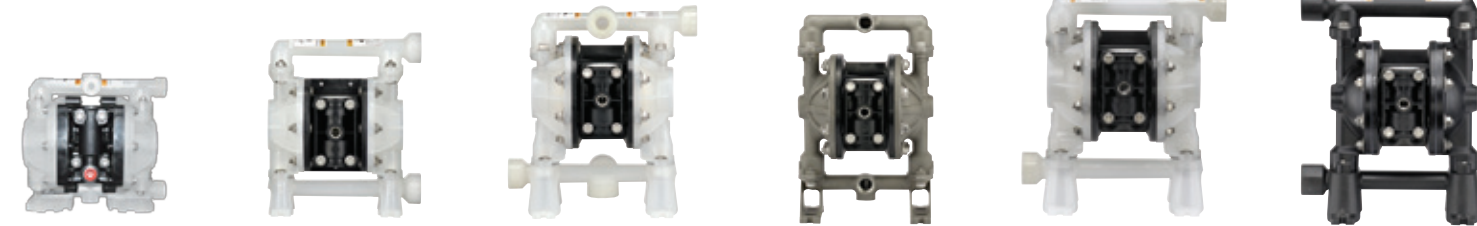
## Bulk Transfer

Pro Series pumps have the performance to handle bulk transfer applications

- Excellent Flow: With flow rates up to 237-gpm (897-lpm), Pro Series can complete bulk transfer jobs quickly and efficiently
- Across the Line Performance: With Pro Series, using PTFE diaphragms doesn't mean production gets cut in half



## Compact series models 1/4"-3/4" ports



Model	1/4"	3/8"	1/2"	1/2"	3/4"	3/4"
<b>Maximum Flow GPM (LPM)</b>	5.3 (20)	10.6 (40.1)	14.4 (54.5)	12 (45.4)	14.8 (56)	13.6 (51.5)
<b>Maximum Discharge Pressure PSI (BAR)</b>	125 (8.6)	100 (6.9)	100 (6.9)	100 (6.9)	100 (6.9)	100 (6.9)
<b>Maximum Solids Inches (mm)</b>	1/16 (1.6)	1/16 (1.6)	3/32 (2.4)	3/32 (2.4)	3/32 (2.4)	3/32 (2.4)
<b>Fluid Ports Inlet/Outlet (BSP Available)</b>	3/4"(F) - In/Out 1/4"(NPTF/BSP Hybrid) - In/Out	3/8" (F) - In/Out Rp 3/8 (3/8-19BSP, parallel)	1/2" (F) - In/Out Rp 1/2 (1/2-14BSP)	1/2" (F) - In/Out Rp 1/2 (1/2-14BSP)	3/4 - 14 N.P.T.F.-1 Rp 3/4 (3/4-14 BSP, parallel)	3/4 - 14 N.P.T.F.-2 Rp 3/4 (3/4-14BSP, parallel)
<b>Materials of Construction</b>	Polypropylene Groundable Acetal PVDF	Polypropylene Groundable Acetal PVDF	Polypropylene Groundable Acetal PVDF	Aluminum Stainless Steel	Polypropylene	Aluminum
<b>Seat Material</b>	Acetal PVDF Polypropylene	Acetal PVDF Polypropylene Stainless Steel	Acetal PVDF Polypropylene Stainless Steel	Aluminum Polypropylene Stainless Steel	Polypropylene	Aluminum Polypropylene
<b>Ball Material</b>	Santoprene Hytrel Nitrile PTFE EPR (flex check only) Viton (flex check only) Neoprene (flex check only)	Santoprene Hytrel Stainless Steel PTFE Viton	Santoprene Hytrel Nitrile Stainless Steel PTFE Polyurethane Viton	Santoprene Hytrel Nitrile Stainless Steel PTFE Polyurethane Viton	Santoprene Hytrel PTFE	Santoprene Hytrel PTFE
<b>Diaphragm Material</b>	Santoprene Hytrel Nitrile PTFE	Santoprene Hytrel PTFE/Santoprene Viton	Santoprene Hytrel Nitrile PTFE/Santoprene Viton Polyurethane	Santoprene Hytrel Nitrile PTFE/Santoprene Viton Polyurethane	Santoprene Hytrel PTFE/Santoprene	Santoprene Hytrel PTFE/Santoprene

## Pro series models 1"-3" ports



Model	1"	1-1/2"	2"	1"	1-1/2"	2"	3"
<b>Maximum Flow GPM (LPM)</b>	47 (177.9)	100 (378.5)	145 (548.8)	35 (133)	90 (340.7)	172 (651)	237 (897)
<b>Maximum Discharge Pressure PSI (BAR)</b>	120 (8.3)	120 (8.3)	120 (8.3)	120 (8.3)	120 (8.3)	120 (8.3)	120 (8.3)
<b>Maximum Solids Inches (mm)</b>	1/8 (3.2)	1/4 (6.4)	1/4 (6.4)	1/8 (3.2)	1/4 (6.4)	1/4 (6.4)	3/8 (9.5)
<b>Fluid Ports Inlet/Outlet (BSP Available)</b>	1" ANSI/DIN Flange 1" (F) Threaded Rp 1 (1-11BSP)	1-1/2" ANSI/DIN Flange	2" ANSI/DIN Flange	1" (F) - In/Out Rp 1 (1-11BSP)	1-1/2"(F) - In/Out Rp 1-1/2 (1-1/2-11BSP)	2"(F) - In/Out Rp 2 (2-11BSP)	3"(F) - In/Out Rp 3 (3-11BSP)
<b>Materials of Construction</b>	Polypropylene PVDF	Polypropylene PVDF	Polypropylene PVDF	Aluminum Stainless Steel Cast Iron	Aluminum Stainless Steel Cast Iron	Aluminum Stainless Steel Cast Iron	Aluminum Stainless Steel Cast Iron
<b>Seat Material</b>	316 Stainless Steel Polypropylene PVDF Hard 440 Stainless Steel	316 Stainless Steel Polypropylene PVDF Hard 440 Stainless Steel	316 Stainless Steel Polypropylene PVDF 440 Stainless Steel	Aluminum 316 Stainless Steel Polypropylene PVDF Carbon Steel Hard 440 Stainless Steel	Aluminum 316 Stainless Steel Polypropylene PVDF Carbon Steel 440 Stainless Steel	Aluminum Hytrel Santoprene 316 Stainless Steel PVDF Carbon Steel Hard 440 Stainless Steel Nitrile	Aluminum Hytrel Santoprene 316 Stainless Steel PVDF Carbon Steel Hard 440 Stainless Steel Nitrile
<b>Ball Material</b>	Viton PTFE Polyurethane 316 Stainless Steel Hytrel Santoprene Nitrile Neoprene EPR Medical Grade Santoprene	Viton PTFE Polyurethane Hytrel Santoprene Nitrile Neoprene EPR	Viton PTFE Polyurethane Hytrel Santoprene Nitrile Neoprene EPR	Viton PTFE Polyurethane Stainless Steel Hytrel Santoprene Nitrile Neoprene EPR Acetal	Viton PTFE Polyurethane Stainless Steel Hytrel Santoprene Nitrile Neoprene EPR Acetal	PTFE/Santoprene Hytrel Santoprene Nitrile	PTFE/Santoprene Hytrel Santoprene Nitrile
<b>Diaphragm Material</b>	Hytrel Santoprene Nitrile Neoprene EPR & Medical Grade Santoprene	Viton PTFE/Santoprene Hytrel Santoprene Nitrile Neoprene EPR	Viton PTFE/Santoprene Hytrel Santoprene Nitrile Neoprene EPR	Viton PTFE/Santoprene Hytrel Santoprene Nitrile Neoprene EPR	Viton PTFE/Santoprene Hytrel Santoprene Nitrile Neoprene EPR	PTFE/Santoprene Hytrel Santoprene Nitrile	PTFE/Santoprene Hytrel Santoprene Nitrile